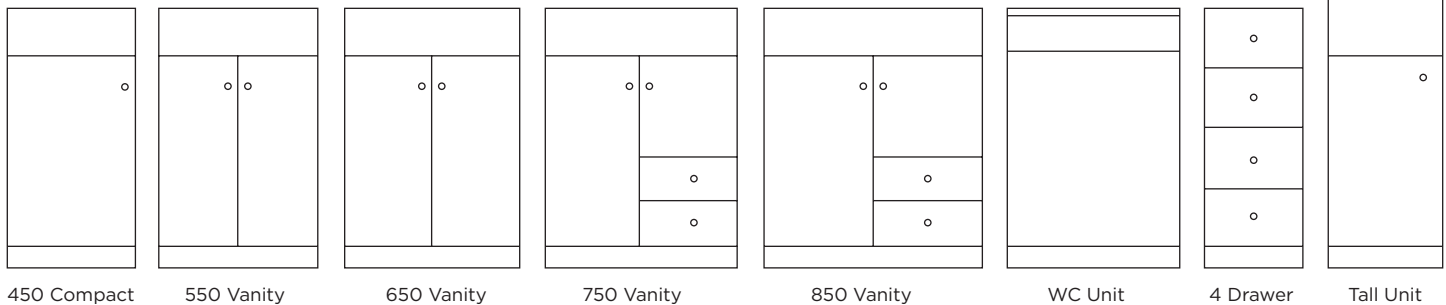


Modular Bathroom Furniture

W30/213

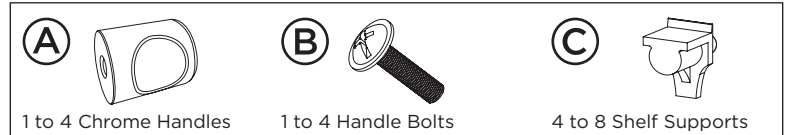


Before you start, read instructions carefully.

Check the pack and make sure all the components are included. When you are ready to start, make sure you have the right tools to hand and a clean dry area to work in.

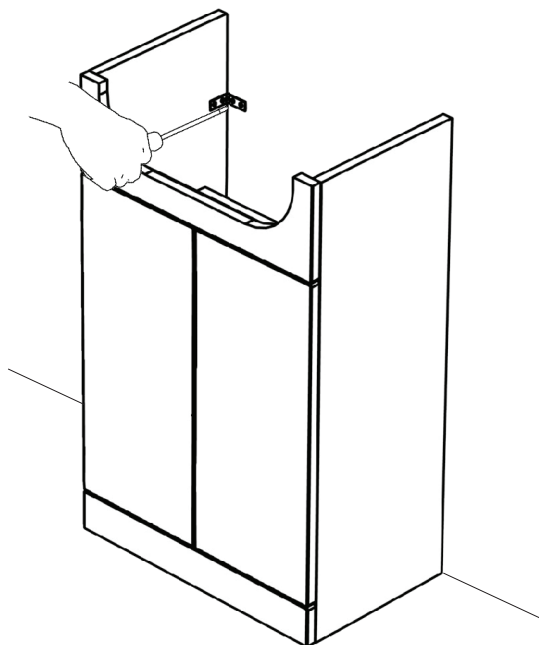
Please note the number of fittings supplied is dependent upon which unit is purchased.

Fittings Supplied

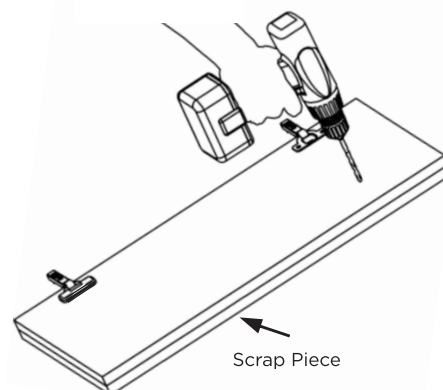
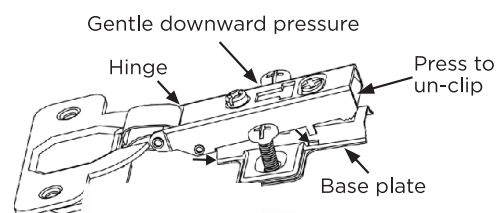


VANITY & WC UNITS

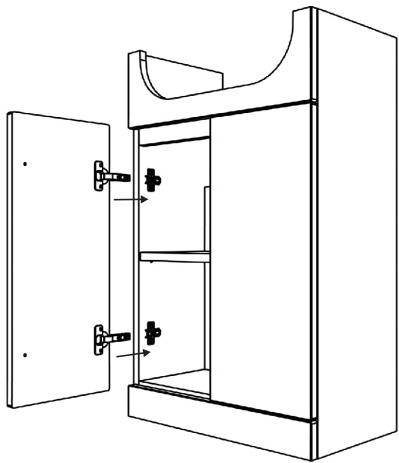
- Using suitable wall fixings (not supplied) fix the unit to the wall. After fixing the unit to the wall, check once more with a spirit level that the unit is plumb and level. Please note that the full range of units are fitted to the wall in the exact same manner with the exception of the tall unit (see point 11).



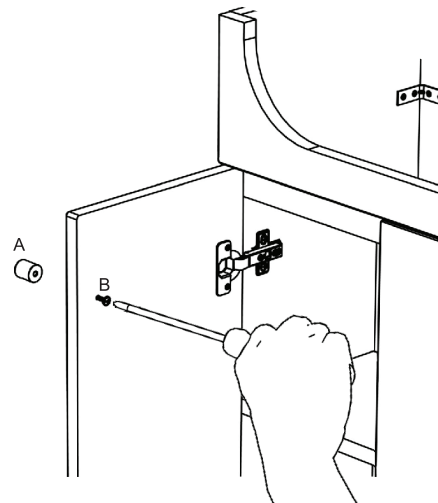
- Remove the door from unit (see diagram below), place face down onto a piece of scrap board and drill the door in the required position. **IMPORTANT:** make sure that you drill the door in the correct position so that the handle will be situated in the correct position when placed on the unit.



- ③ Replace the door back onto the unit by carefully aligning the hinges with the hinge base plates and clip the door back on. Ensure that the door is securely held in position before letting go.

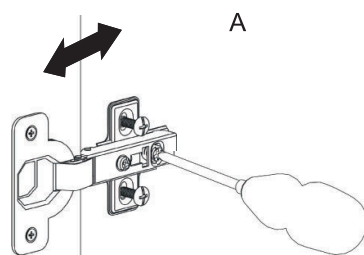


- ⑤ Firstly remove the protective film from the fronts of the door by carefully peeling it away. Using a cross headed screwdriver, fit the door knob(s) (A) to the doors by using a handle bolt (B) and screwing into place. Take care not to overtighten.

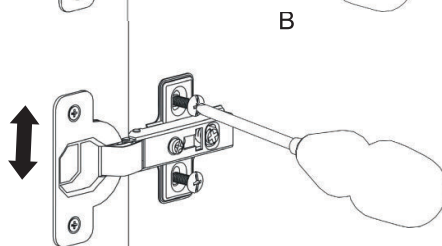


- ④ The hinges can be adjusted by following the instructions below allowing you to align the door with the unit.

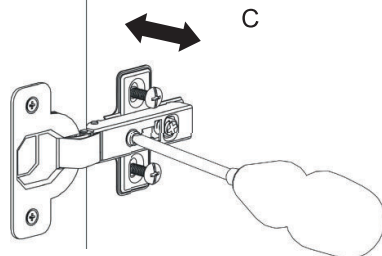
To adjust the door in and out on the unit, loosen the screw as illustrated on both of the hinges and move the door to required position.



To adjust the door up and down on the unit, loosen both screws as shown on both hinges and move the door to the required position. Retighten all screws after.

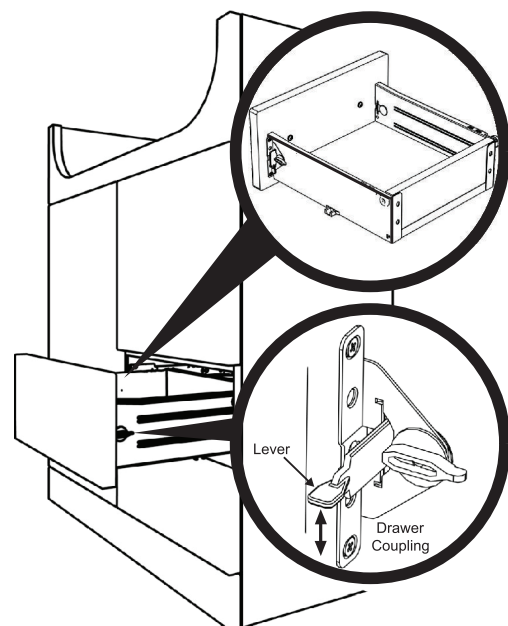


To adjust the door left & right on the unit, turn the screw as illustrated on both hinges.



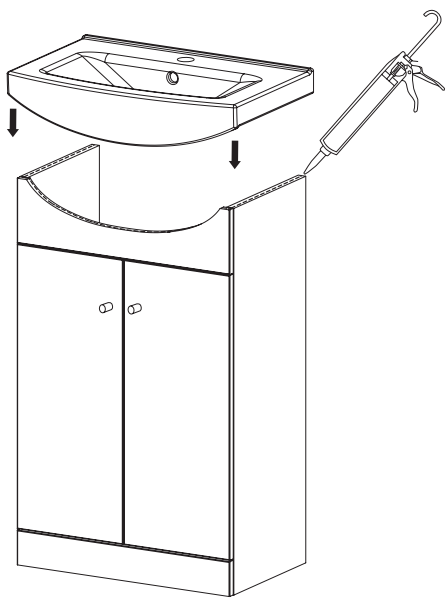
- ⑥ If you have chosen a unit with drawers then you will have to remove the drawer fronts to fit the chrome knob(s). This is done by extending the drawer kit as far as it will go or by removing the drawer kit completely to expose the drawer couplings.

To remove the drawer front from the drawer kit, simply turn the levers at both sides to the horizontal position as shown then gently ease the drawer front away from the drawer kit.

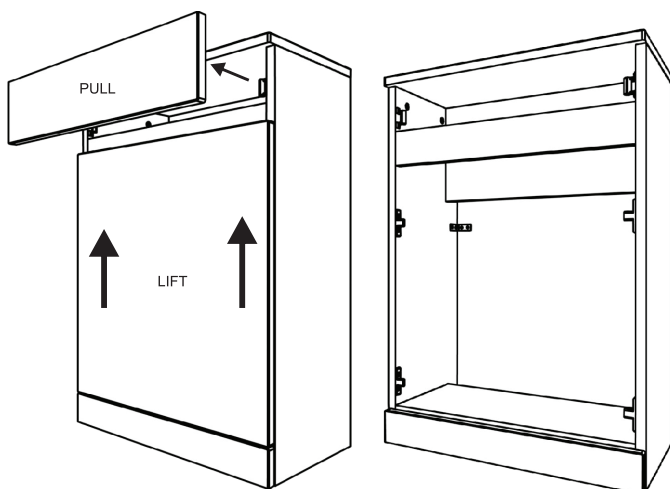


- 7 Fit the handles to the drawer fronts as described in sections 2 and 5. Replace the drawer fronts by lining the drawer couplings up with the drawer sides and gently pushing them into place. When you are happy with the fit, simply lock them into position by lowering the levers at both sides as shown in (6). The drawer fronts can be adjusted up or down to the required position, (see point 10).

- 8 Bed the basin to the top of the unit on a bead of silicone sealant as shown and allow to fully cure. This will hold the basin securely in place when fully cured.



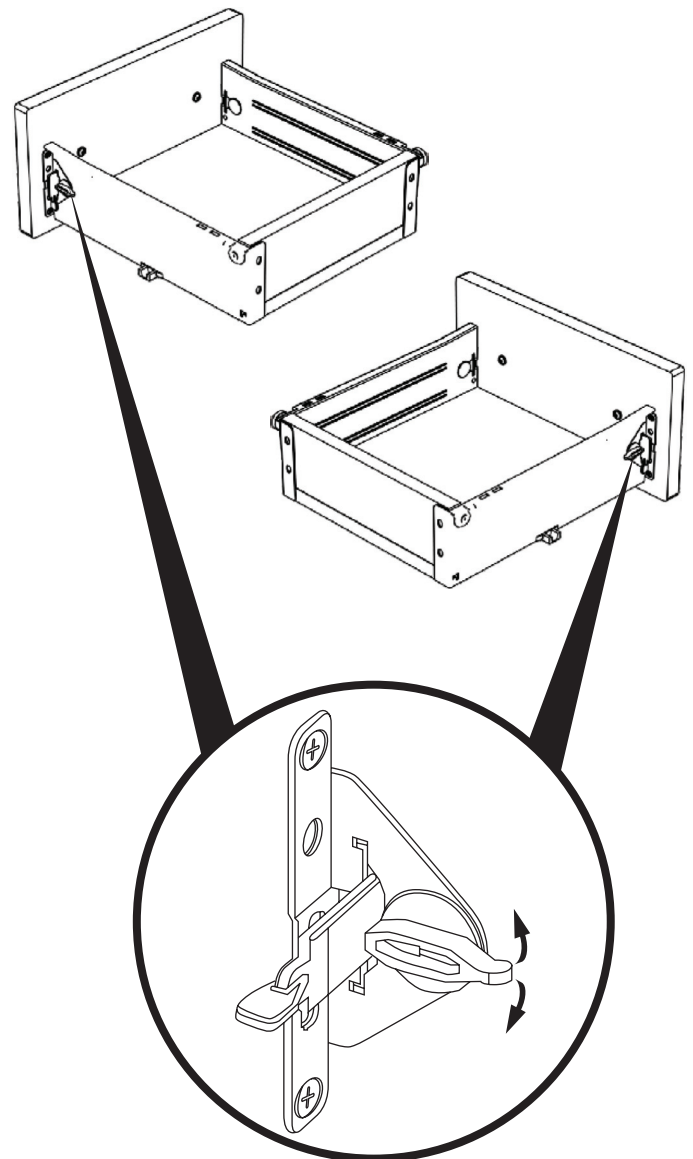
- 9 WC UNIT
To gain access to the fixing brackets inside the WC unit, carefully remove the top fascia panel by gently pulling it towards yourself until the fascia panel unclips from the unit. Secondly, take hold of the front panel and lift it up until it clears the fixings. This will now expose the wall fixings at the rear inside of the unit as shown below. To remove the top panel (if required) simply loosen the two locking cams at the top left and top right of the unit and lift the top from the unit.



4 DRAWER UNIT

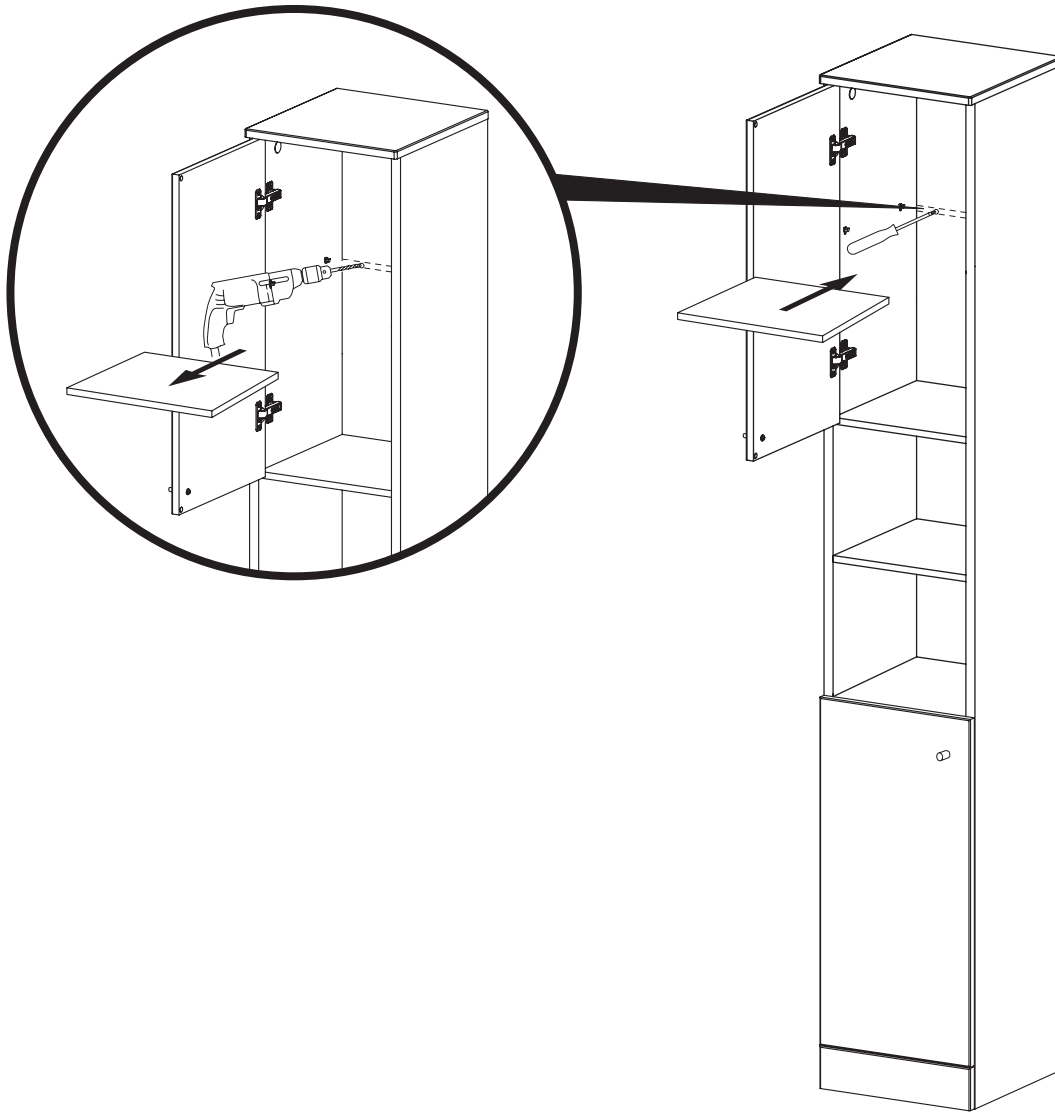
- 10 Due to transportation the drawers can come out of alignment on the 4 drawer unit. These can be adjusted moving the lever on either side of the drawer box up or down - see below. We recommend that you align the top drawer first and work down until all the drawers are aligned correctly.

NB. If the slow close mechanism isn't engaged, remove the drawer from the unit, pull the red clip inside the unit forward to engage the mechanism and reinsert the drawer.



11 TALL UNIT

We recommend that the tall unit is fixed to the wall. Remove the shelf in the top cupboard. Using a pencil mark where you need to drill through the back of the unit. Once drilled place against the wall where the unit is to be located, using a pencil mark drilling positions on the wall. Drill wall and using suitable wall fixings (not supplied) fix the unit to the wall, replace the shelf.



PRODUCT AFTERCARE

We recommend cleaning with a soft damp cloth and mild soap solution
Do not use cream cleaners or cleaners containing bleach
Do not scrub or scour
Do not use abrasive cleaning agents
Do not use solvent based cleaners
If a polish is to be used, use a wax free polish
Do not allow pools of water to remain standing on the surfaces

IMPORTANT

We recommend that you read the sealant packaging for curing time. Do not use the unit until the sealant is set. Please consult with an expert if you are unsure. We recommend that a qualified person is used for all plumbing work.
If you are unsure of any part of the instructions shown in this booklet, we recommend that you contact a reputable trades person.