

# OAKLAND 18/10 STAINLESS STEEL INSET SINK

OL9851L/

RANGEmaster  
sinks & taps



## Size: 985 x 508 mm

A modern twist on a classic kitchen sink design, Oaklands handed drainer options offer a sleek and contemporary finished look.

- Left-hand drainer
- Micro-sheen™ soft brushed finish
- Manufactured from 18/10 stainless steel
- Waste kit included
- 25 year warranty

Material	18/10 Stainless Steel
Material Gauge	0.9
Material Finish Bowl	Micro-Sheen™ Soft Brushed Finish
Material Finish Drainer	Micro-Sheen™ Soft Brushed Finish
Drainer Position	Left hand
Overall Length (mm)	985
Overall Width (mm)	508
Main Bowl Length (mm)	450
Main Bowl Width (mm)	420
Main Bowl Depth (mm)	190
Second Bowl Length (mm)	-
Second Bowl Width (mm)	-
Second Bowl Depth (mm)	-
Tap hole Size (mm)	1 x 35
Waste Size (mm)	1 x 89
Waste Kit	Included with sink (1 x 89mm BSW & overflow kit)
Min. Base Unit (mm)	600
Cutout Size Length (mm)	965
Cutout Size Width (mm)	488
Warranty Sinks (years)	25
Product Code	OL9851L/
Barcode	5015834045634

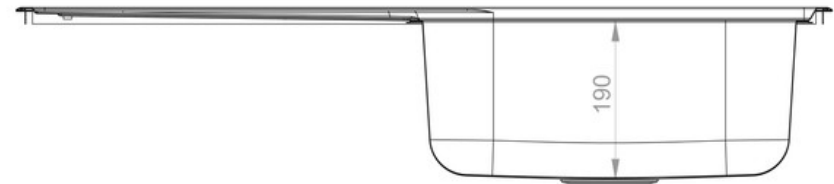
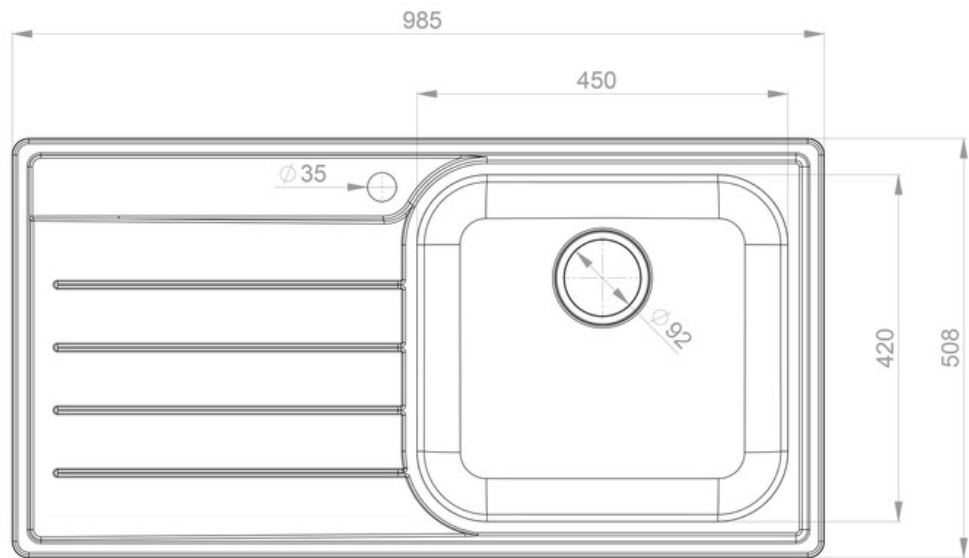
Date of download: February 18, 2024

AGA Rangemaster continuously seeks improvements in specification, design and production of products and thus, alterations take place periodically. Whilst every effort is made to produce up-to date resources, the information included here is intended as a guide. Always refer to the product's installation instructions when fitting, installation work should be completed a professional tradesman.

# OAKLAND 18/10 STAINLESS STEEL INSET SINK

OL9851L/

## Technical Drawing



Date of download: February 18, 2024

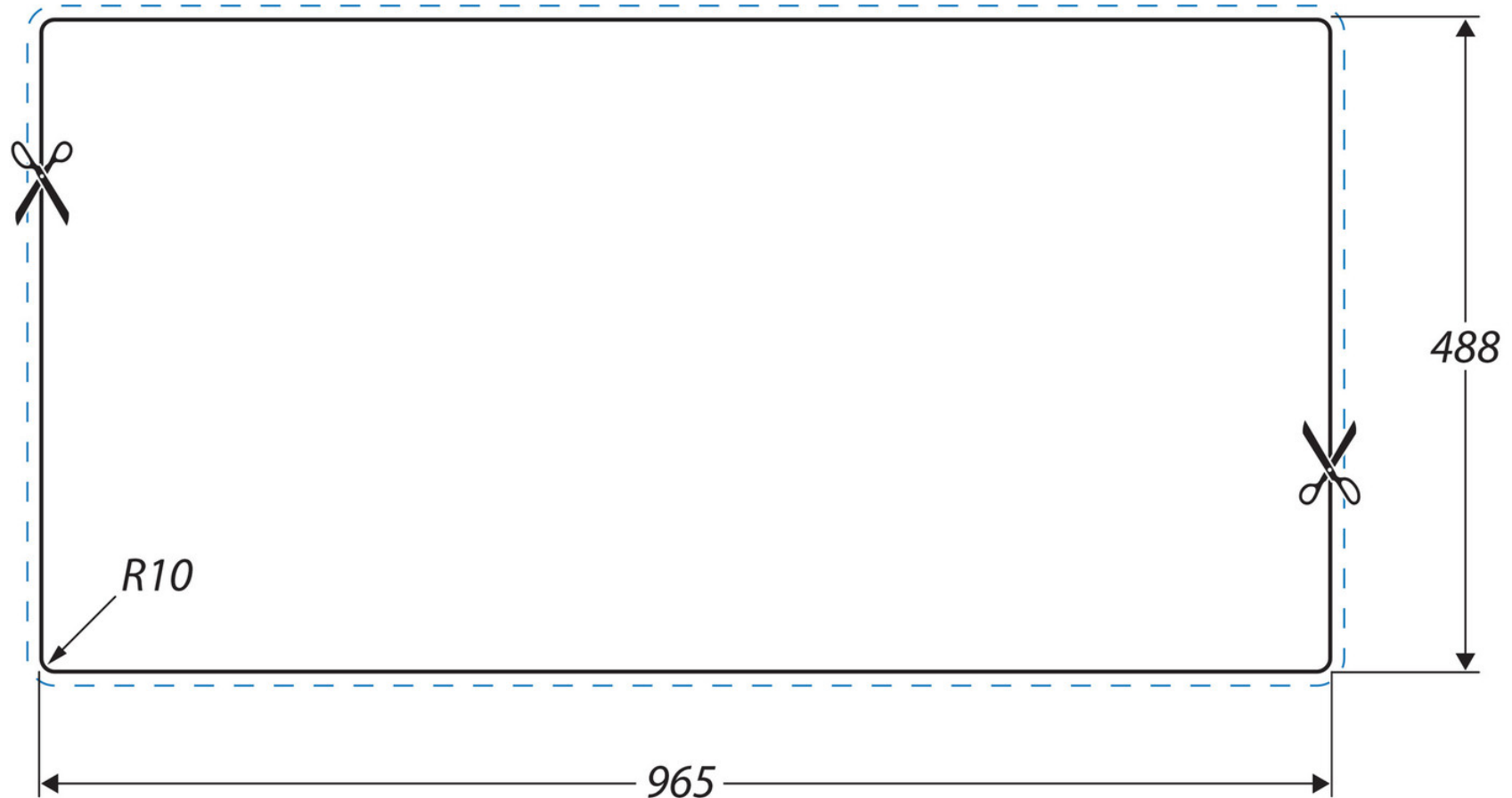
AGA Rangemaster continuously seeks improvements in specification, design and production of products and thus, alterations take place periodically. Whilst every effort is made to produce up-to date resources, the information included here is intended as a guide. Always refer to the product's installation instructions when fitting, installation work should be completed a professional tradesman.

# OAKLAND 18/10 STAINLESS STEEL INSET SINK

OL9851L/

## Cut Out Template

Dimensions in mm. Not to scale.



Date of download: February 18, 2024

AGA Rangemaster continuously seeks improvements in specification, design and production of products and thus, alterations take place periodically. Whilst every effort is made to produce up-to date resources, the information included here is intended as a guide. Always refer to the product's installation instructions when fitting, installation work should be completed a professional tradesman.