

# PARMA DUAL LEVER TAP BRUSHED

TPM1BF/



Tall in design, the Parma kitchen tap blends style and practicality. Featuring quarter turn handles and a ceramic disc cartridge Parma ensures water flow is precise and accurate no matter what water pressure is available in the domestic home.

- Suitable for all pressure water systems
- Featuring an anti-splash spout with honeycomb aerator design which mixes air with water to emit a water flow with no splash

**RANGEmaster**  
sinks & taps

Overall Height (mm)	389
Spout Reach (mm)	216
Spout Height (mm)	263
Spout Rotation Range	360°
Handle Type	Dual Lever
Colour	Brushed
Bar Pressure Suitability	All Pressure
Min. Bar Pressure	0.30
Max. Bar Pressure	5.50
Mixed Flow Rate at 3 Bar Pressure (l/min)	16.55
Flow Type	Dual Flow
Recommended Hot Water Temperature	46°C
Maximum Hot Water Temperature	70°C
Handle Control	Quarter Turn
Centre Distance (mm)	-
Cartridge Type	Ceramic Disc Cartridge
Aerator Type	Honeycomb Aerator
Inlet Pipes	Copper Rigid Tubes
Anti-Splash Spout	Yes
Pull Out Spray	No
WRAS Approved	No
Product Code	TPM1BF/
Barcode	5015834048185

Date of download: January 31, 2024

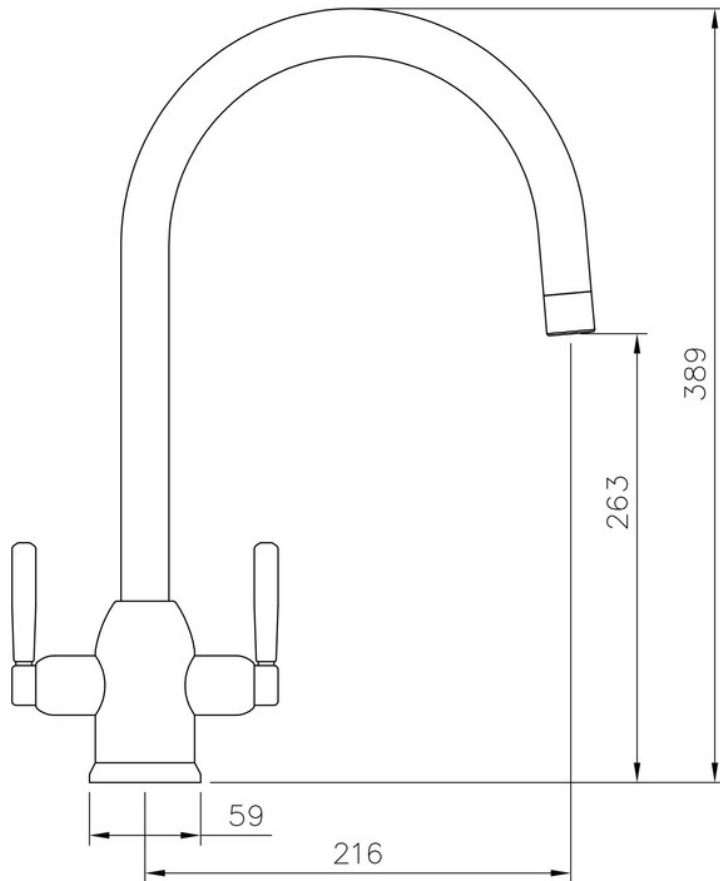
AGA Rangemaster continuously seeks improvements in specification, design and production of products and thus, alterations take place periodically. Whilst every effort is made to produce up to date resources, the information included here is intended as a guide. Always refer to the installation instructions when fitting, installation work should be completed by a professional tradesman.

# PARMA DUAL LEVER TAP BRUSHED

TPM1BF/

RANGEmaster  
sinks & taps

## Technical Drawing



Date of download: January 31, 2024

AGA Rangemaster continuously seeks improvements in specification, design and production of products and thus, alterations take place periodically. Whilst every effort is made to produce up to date resources, the information included here is intended as a guide. Always refer to the installation instructions when fitting, installation work should be completed by a professional tradesman.