

MONORISE DUAL LEVER TAP BRUSHED

TMR1BF/



The Monorise kitchen tap stands proud, featuring dual lever handles with a modern pin style design, the Monorise tap incorporates good looks with practical design. Available in two finishes, chrome and brushed.

- Suitable for medium pressure water systems emitting a minimum pressure of 0.5 bar or above
- Featuring an anti-splash spout with honeycomb aerator design which mixes air with water to emit a water flow with no splash

RANGEmaster
sinks & taps

Overall Height (mm)	363
Spout Reach (mm)	194
Spout Height (mm)	233
Spout Rotation Range	360°
Handle Type	Dual Lever
Colour	Brushed
Bar Pressure Suitability	Medium Pressure
Min. Bar Pressure	0.50
Max. Bar Pressure	5.50
Mixed Flow Rate at 3 Bar Pressure (l/min)	13.60
Flow Type	Single Flow
Recommended Hot Water Temperature	46°C
Maximum Hot Water Temperature	70°C
Handle Control	Quarter Turn
Centre Distance (mm)	-
Cartridge Type	Ceramic Disc Cartridge
Aerator Type	Honeycomb Aerator
Inlet Pipes	1/2" Stainless Flexible Hoses
Anti-Splash Spout	Yes
Pull Out Spray	No
WRAS Approved	Yes
Product Code	TMR1BF/
Barcode	5015834046600

Date of download: January 31, 2024

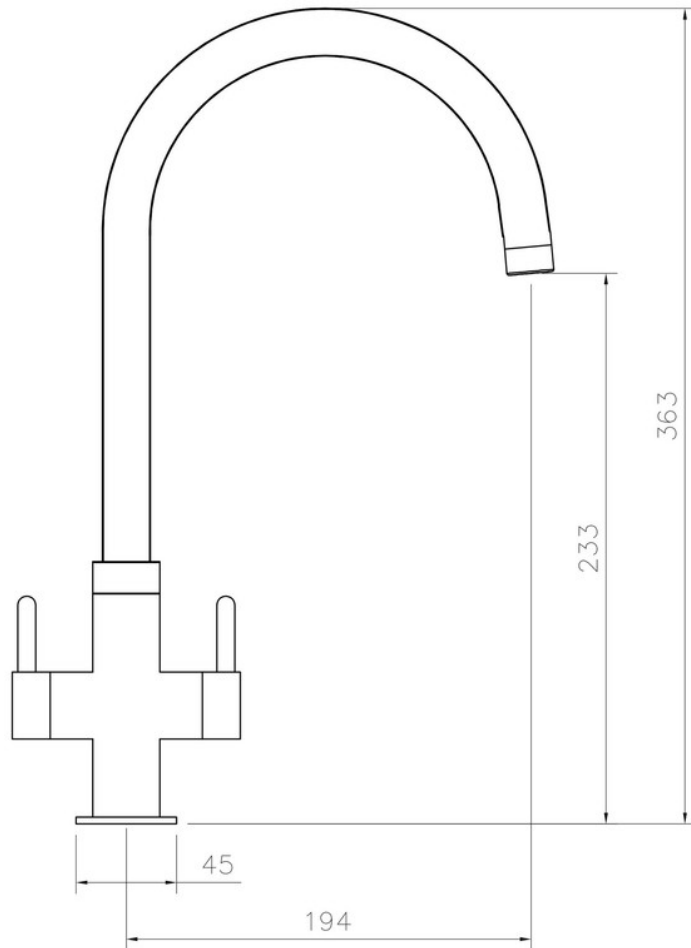
AGA Rangemaster continuously seeks improvements in specification, design and production of products and thus, alterations take place periodically. Whilst every effort is made to produce up to date resources, the information included here is intended as a guide. Always refer to the installation instructions when fitting, installation work should be completed by a professional tradesman.

MONORISE DUAL LEVER TAP BRUSHED

TMR1BF/

RANGEmaster
sinks & taps

Technical Drawing



Date of download: January 31, 2024

AGA Rangemaster continuously seeks improvements in specification, design and production of products and thus, alterations take place periodically. Whilst every effort is made to produce up to date resources, the information included here is intended as a guide. Always refer to the installation instructions when fitting, installation work should be completed by a professional tradesman.