

RUSTIC FIRE CLAY CERAMIC INSET SINK

CRT10202WH/

RANGEmaster
sinks & taps



Size: 1000 x 500 mm

Offering a modern, farmhouse feel, Rustic kitchen sinks are designed to cater the needs of an enthusiastic chef.

- Reversible drainer
- Waste kit included
- 10 year warranty

Material	Fire clay Ceramic
Material Gauge	-
Material Finish Bowl	-
Material Finish Drainer	-
Drainer Position	Reversible
Overall Length (mm)	1000
Overall Width (mm)	500
Main Bowl Length (mm)	360
Main Bowl Width (mm)	390
Main Bowl Depth (mm)	195
Second Bowl Length (mm)	147
Second Bowl Width (mm)	260
Second Bowl Depth (mm)	120
Tap hole Size (mm)	-
Waste Size (mm)	1 x 90, 1 x 60
Waste Kit	Included with sink (1 x 90mm & 1 x 60mm BSW and overflow kit)
Min. Base Unit (mm)	600
Cutout Size Length (mm)	980
Cutout Size Width (mm)	480
Warranty Sinks (years)	10
Product Code	CRT10202WH/
Barcode	5015834049267

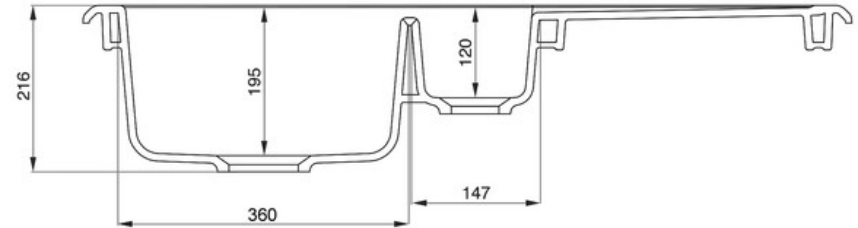
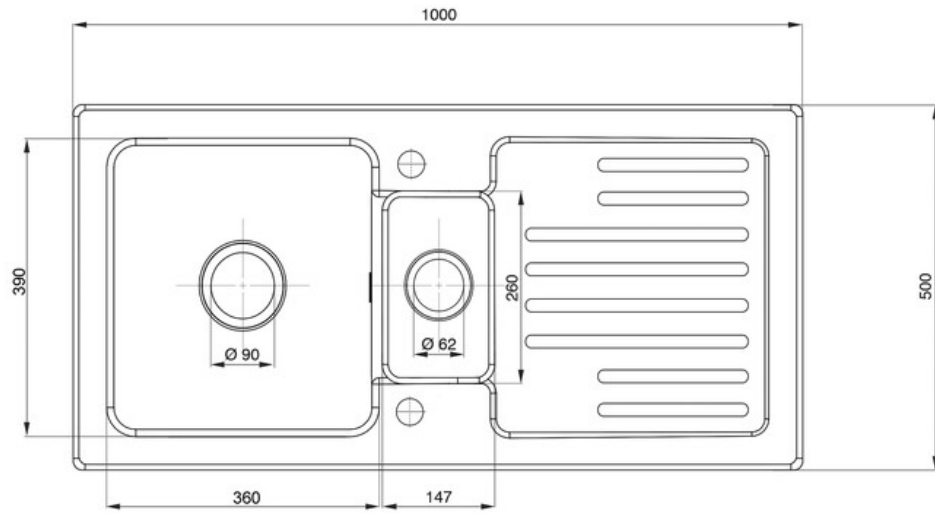
Date of download: December 26, 2023

AGA Rangemaster continuously seeks improvements in specification, design and production of products and thus, alterations take place periodically. Whilst every effort is made to produce up-to date resources, the information included here is intended as a guide. Always refer to the product's installation instructions when fitting, installation work should be completed a professional tradesman.

RUSTIC FIRE CLAY CERAMIC INSET SINK

CRT10202WH/

Technical Drawing



NB: Due to manufacturing processes this sink may have a +/- 3mm tolerance on the measurements.

Date of download: December 26, 2023

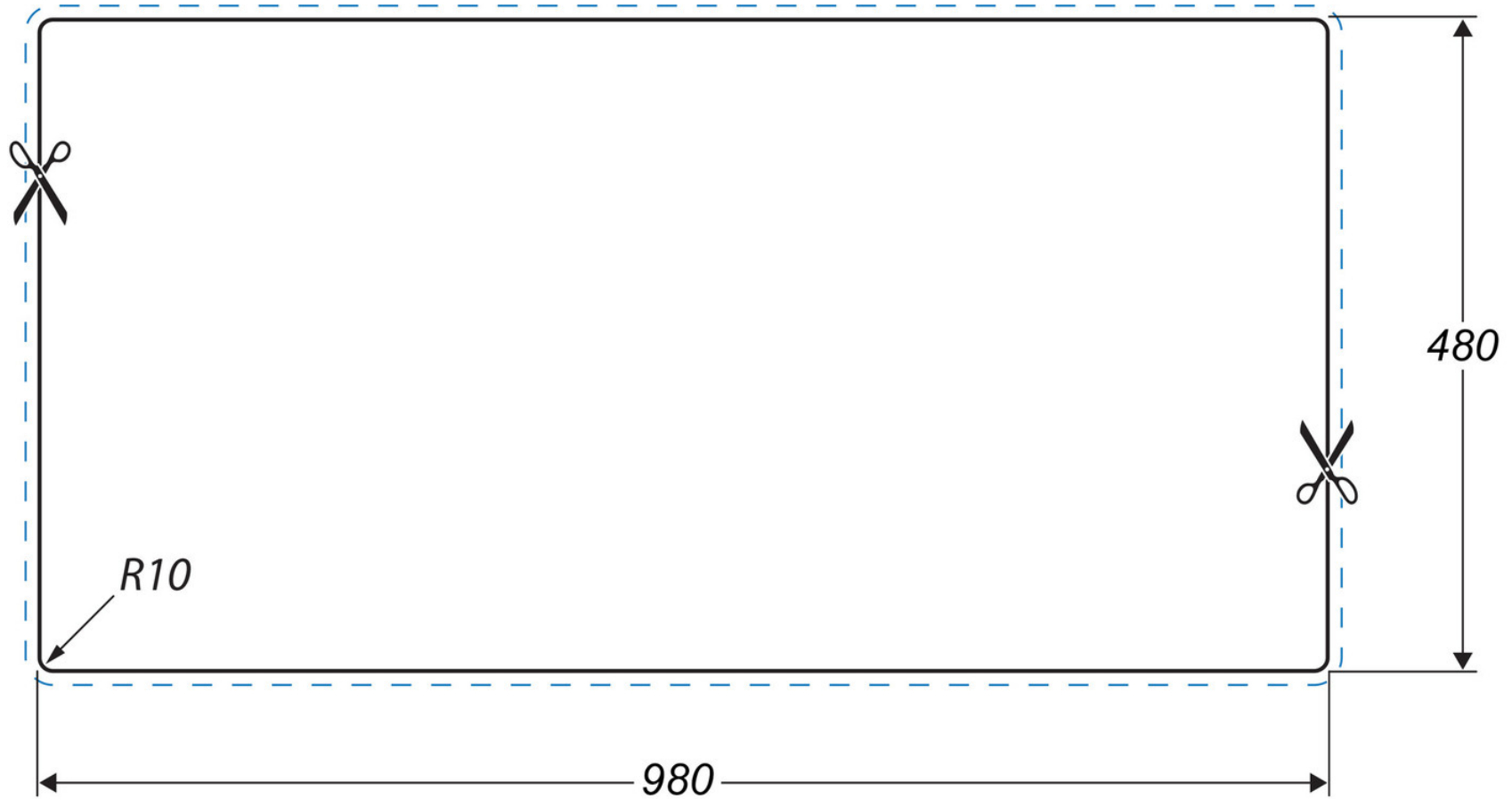
AGA Rangemaster continuously seeks improvements in specification, design and production of products and thus, alterations take place periodically. Whilst every effort is made to produce up-to date resources, the information included here is intended as a guide. Always refer to the product's installation instructions when fitting, installation work should be completed a professional tradesman.

RUSTIC FIRE CLAY CERAMIC INSET SINK

CRT10202WH/

Cut Out Template

Dimensions in mm. Not to scale.



Date of download: December 26, 2023

AGA Rangemaster continuously seeks improvements in specification, design and production of products and thus, alterations take place periodically. Whilst every effort is made to produce up-to date resources, the information included here is intended as a guide. Always refer to the product's installation instructions when fitting, installation work should be completed a professional tradesman.