

## MICA IGNEOUS GRANITE INSET SINK

MIC1052CW/

**RANGEmaster**  
sinks & taps



### Size: 1000 x 500 mm

Featuring a unique bowl design and a drainer with defined straight lines, Mica blends contemporary style with practical design effortlessly. Made from Igneous granite, the Mica range is composed of 3 options; single bowl in standard and compact sizes and a 1.5 bowl option.

- Igneous granite
- Reversible drainer
- Waste kit included
- 25 year warranty

Material	Igneous Granite
Material Gauge	-
Material Finish Bowl	-
Material Finish Drainer	-
Drainer Position	Reversible
Overall Length (mm)	1000
Overall Width (mm)	500
Main Bowl Length (mm)	335
Main Bowl Width (mm)	443
Main Bowl Depth (mm)	195
Second Bowl Length (mm)	151
Second Bowl Width (mm)	336
Second Bowl Depth (mm)	120
Tap hole Size (mm)	-
Waste Size (mm)	2 x 89
Waste Kit	Included with sink (2 x 89mm BSW & overflow kit)
Min. Base Unit (mm)	600
Cutout Size Length (mm)	980
Cutout Size Width (mm)	480
Warranty Sinks (years)	25
Product Code	MIC1052CW/
Barcode	5015834050690

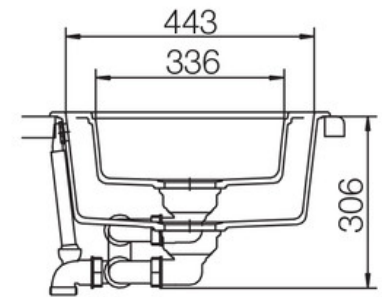
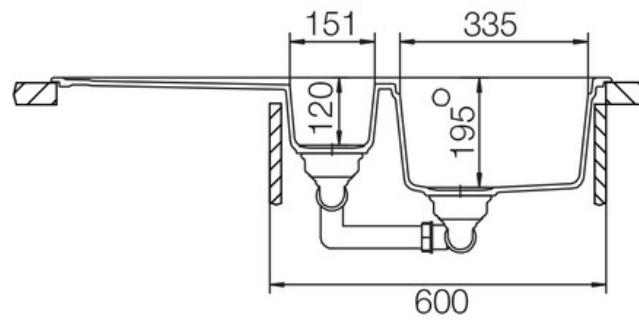
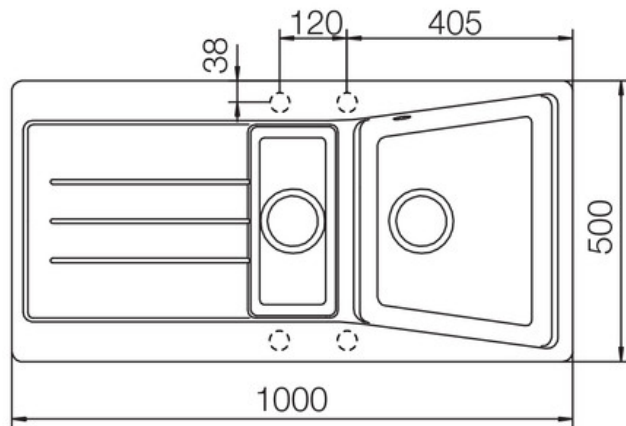
Date of download: December 31, 2023

AGA Rangemaster continuously seeks improvements in specification, design and production of products and thus, alterations take place periodically. Whilst every effort is made to produce up-to date resources, the information included here is intended as a guide. Always refer to the product's installation instructions when fitting, installation work should be completed a professional tradesman.

# MICA IGNEOUS GRANITE INSET SINK

MIC1052CW/

## Technical Drawing



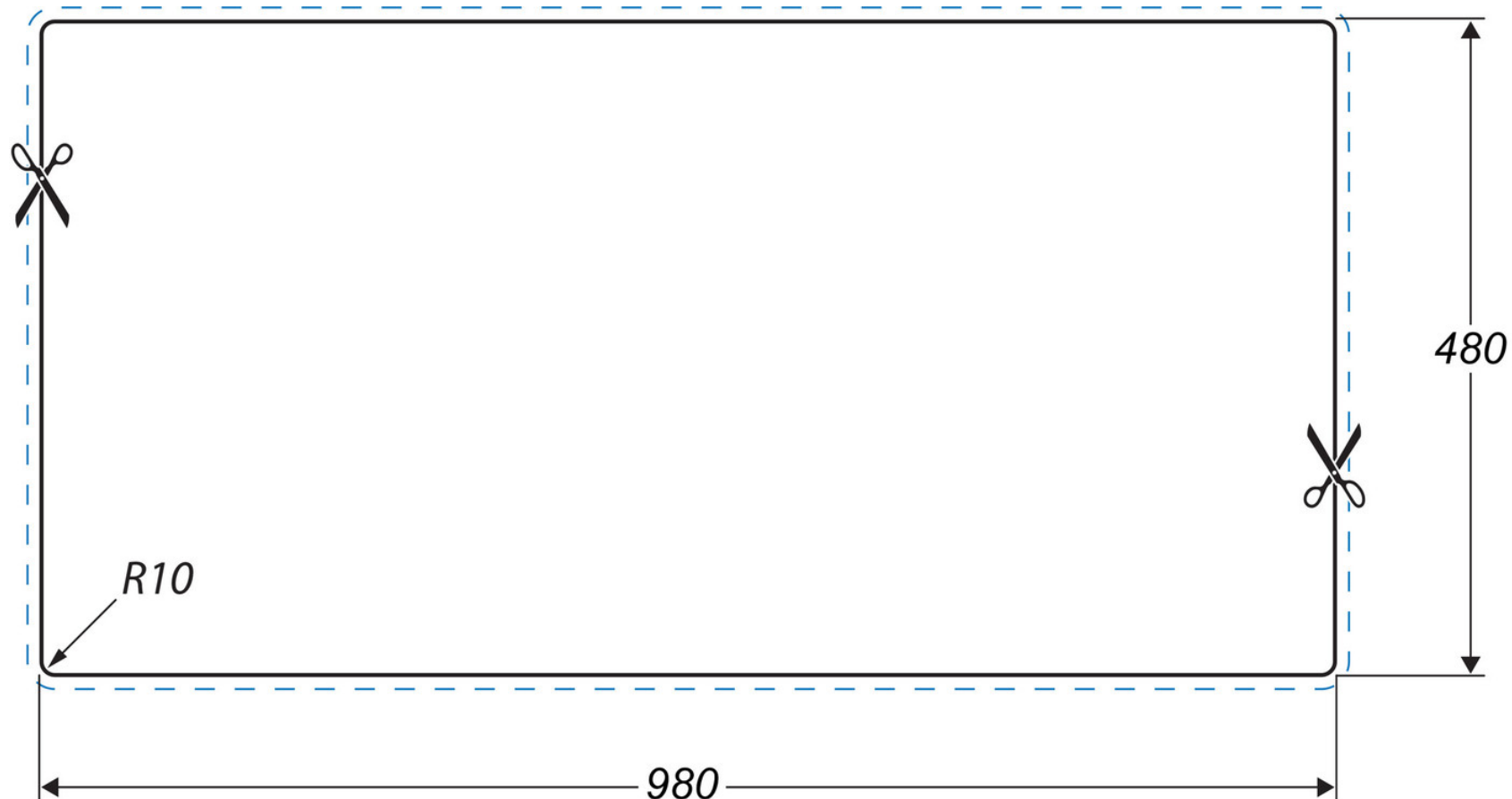
AGA Rangemaster continuously seeks improvements in specification, design and production of products and thus, alterations take place periodically. Whilst every effort is made to produce up-to date resources, the information included here is intended as a guide. Always refer to the product's installation instructions when fitting, installation work should be completed a professional tradesman.

## MICA IGNEOUS GRANITE INSET SINK

MIC1052CW/

### Cut Out Template

Dimensions in mm. Not to scale.



AGA Rangemaster continuously seeks improvements in specification, design and production of products and thus, alterations take place periodically. Whilst every effort is made to produce up-to date resources, the information included here is intended as a guide. Always refer to the product's installation instructions when fitting, installation work should be completed a professional tradesman.