

# MICA IGNEOUS GRANITE INSET SINK

MIC860CW/

**RANGEmaster**  
sinks & taps



## Size: 860 x 500 mm

Featuring a unique bowl design and a drainer with defined straight lines, Mica blends contemporary style with practical design effortlessly. Made from Igneous granite, the Mica range is composed of 3 options; single bowl in standard and compact sizes and a 1.5 bowl option.

- Compact size
- Igneous granite
- Reversible drainer
- Waste kit included
- 25 year warranty

Material	Igneous Granite
Material Gauge	-
Material Finish Bowl	-
Material Finish Drainer	-
Drainer Position	Reversible
Overall Length (mm)	860
Overall Width (mm)	500
Main Bowl Length (mm)	415
Main Bowl Width (mm)	446
Main Bowl Depth (mm)	195
Second Bowl Length (mm)	-
Second Bowl Width (mm)	-
Second Bowl Depth (mm)	-
Tap hole Size (mm)	-
Waste Size (mm)	1 x 89
Waste Kit	Included with sink (1 x 89mm BSW & overflow kit)
Min. Base Unit (mm)	500
Cutout Size Length (mm)	840
Cutout Size Width (mm)	480
Warranty Sinks (years)	25
Product Code	MIC860CW/
Barcode	5015834050638

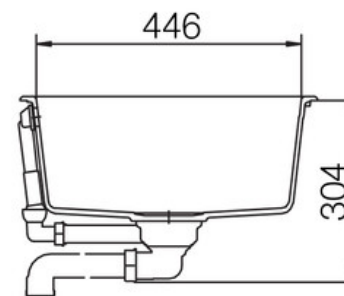
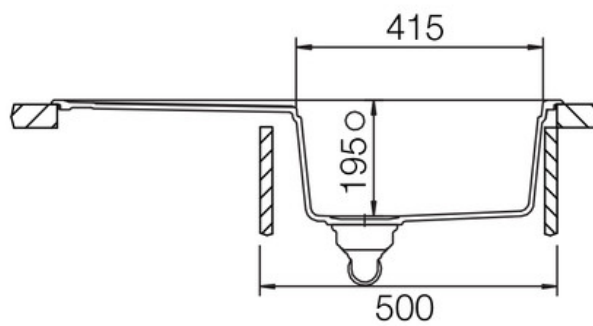
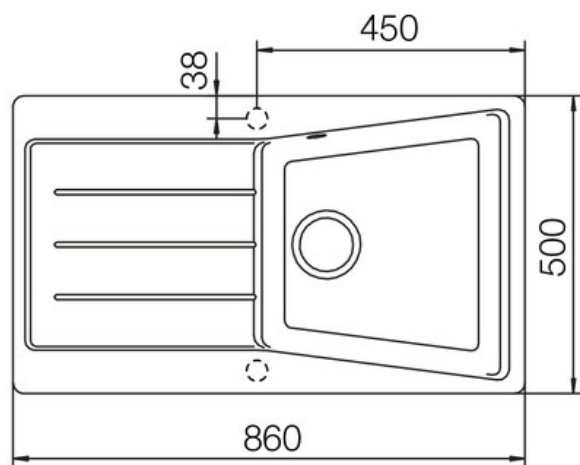
Date of download: December 31, 2023

AGA Rangemaster continuously seeks improvements in specification, design and production of products and thus, alterations take place periodically. Whilst every effort is made to produce up-to date resources, the information included here is intended as a guide. Always refer to the product's installation instructions when fitting, installation work should be completed a professional tradesman.

# MICA IGNEOUS GRANITE INSET SINK

MIC860CW/

## Technical Drawing



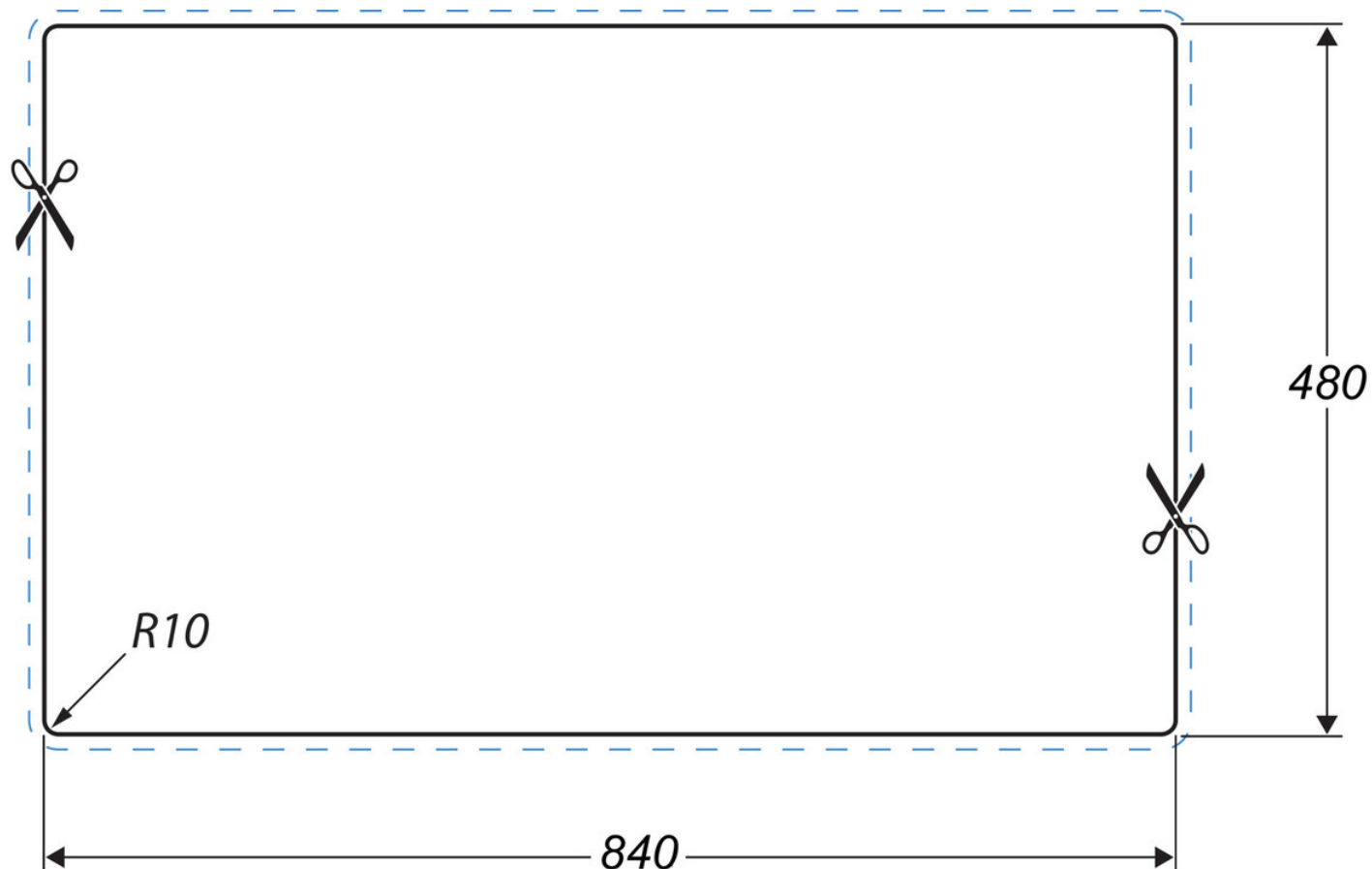
AGA Rangemaster continuously seeks improvements in specification, design and production of products and thus, alterations take place periodically. Whilst every effort is made to produce up-to date resources, the information included here is intended as a guide. Always refer to the product's installation instructions when fitting, installation work should be completed a professional tradesman.

## MICA IGNEOUS GRANITE INSET SINK

MIC860CW/

### Cut Out Template

Dimensions in mm. Not to scale.



AGA Rangemaster continuously seeks improvements in specification, design and production of products and thus, alterations take place periodically. Whilst every effort is made to produce up-to date resources, the information included here is intended as a guide. Always refer to the product's installation instructions when fitting, installation work should be completed a professional tradesman.