

MAYON IGNEOUS GRANITE INSET SINK

MAY690DG/

RANGEmaster
sinks & taps



Size: 690 x 510 mm

Featuring sharp geometric bowls and a smooth drainer design, the Mayon range also features a sleek chrome branded overflow cover adding a premium finish to the overall sink design. The Mayon range is composed of 3 options; single bowl in standard and ultra compact sizes and a 1.5 bowl option.

- Compact size
- Igneous granite
- Reversible drainer
- Waste kit included
- 25 year warranty

Material	Igneous Granite
Material Gauge	-
Material Finish Bowl	-
Material Finish Drainer	-
Drainer Position	Reversible
Overall Length (mm)	690
Overall Width (mm)	510
Main Bowl Length (mm)	365
Main Bowl Width (mm)	448
Main Bowl Depth (mm)	195
Second Bowl Length (mm)	-
Second Bowl Width (mm)	-
Second Bowl Depth (mm)	-
Tap hole Size (mm)	-
Waste Size (mm)	1 x 89
Waste Kit	Included with sink (1 x 89mm BSW & overflow kit)
Min. Base Unit (mm)	450
Cutout Size Length (mm)	670
Cutout Size Width (mm)	490
Warranty Sinks (years)	25
Product Code	MAY690DG/
Barcode	5015834050553

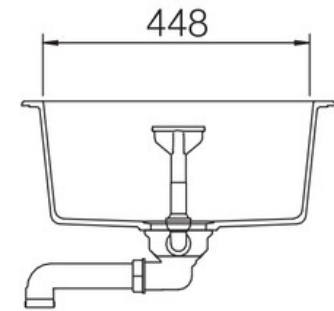
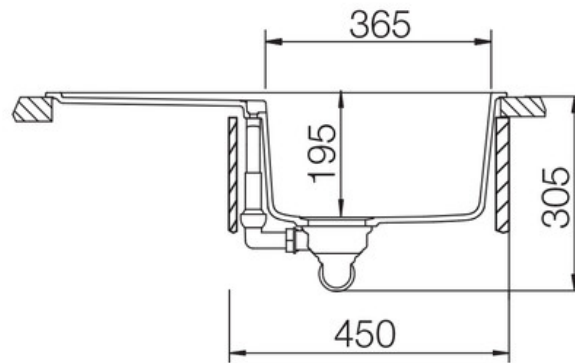
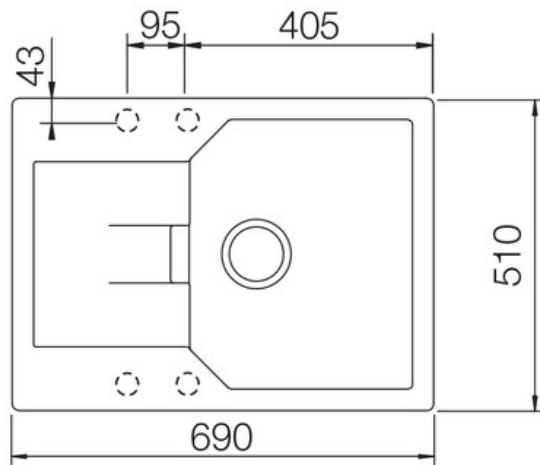
Date of download: December 30, 2023

AGA Rangemaster continuously seeks improvements in specification, design and production of products and thus, alterations take place periodically. Whilst every effort is made to produce up-to date resources, the information included here is intended as a guide. Always refer to the product's installation instructions when fitting, installation work should be completed a professional tradesman.

MAYON IGNEOUS GRANITE INSET SINK

MAY690DG/

Technical Drawing



Date of download: December 30, 2023

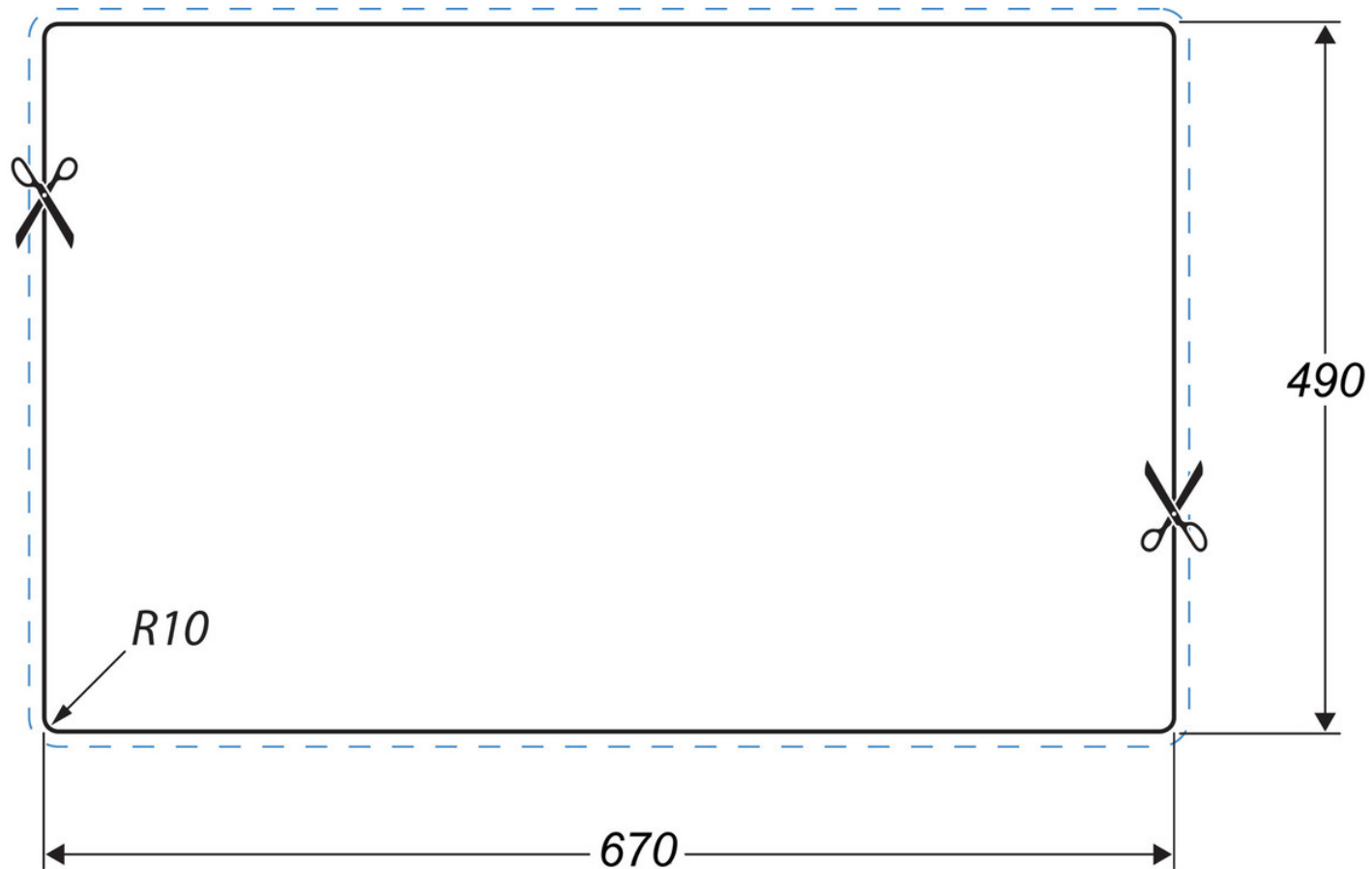
AGA Rangemaster continuously seeks improvements in specification, design and production of products and thus, alterations take place periodically. Whilst every effort is made to produce up-to date resources, the information included here is intended as a guide. Always refer to the product's installation instructions when fitting, installation work should be completed a professional tradesman.

MAYON IGNEOUS GRANITE INSET SINK

MAY690DG/

Cut Out Template

Dimensions in mm. Not to scale.



Date of download: December 30, 2023

AGA Rangemaster continuously seeks improvements in specification, design and production of products and thus, alterations take place periodically. Whilst every effort is made to produce up-to date resources, the information included here is intended as a guide. Always refer to the product's installation instructions when fitting, installation work should be completed a professional tradesman.