

Contact Plumleys Plumbing Merchant
for more information

T: 01689 825415
E: sales@ppm1.co.uk
Order Online: www.plumleysonline.co.uk

PLUMLEYS
PLUMBING MERCHANT

KEYPLUMB

3 Speed Domestic Circulating Pump – 25/6-130

Compatible with most types of heating systems including hot water circulation, radiator heating and underfloor heating. 2 year manufacturers guarantee.

**NEW
PRODUCT**



£51.99

KP11793

FEATURES

- 1 1/2" BSP connection
- 6m pump head
- Energy efficient pump
- 3 speed manual operation
- Plug and Pump - no need to open terminal box
- 2 year manufacturers warranty

Product Information

SUITABLE FLUIDS

Heating water to VD12035
 Heating water
 Water/glycol mixtures max. mixing ratio 1:1

PERFORMANCE

Fluid temperature range -10°C - +180°C
 Max. working pressure: 10bar.

AMBIENT TEMPERATURE

Permissible up to 50°C

POWER

Mains power 1~230v,50Hz

MOTOR

Degree of protection IP44
 Insulation class H

CONSTRUCTION MATERIALS

Pump body: cast iron.
 Impeller: PEI.
 Shaft: ceramic.
 Bearings: ceramic.

MOUNTING POSITIONS

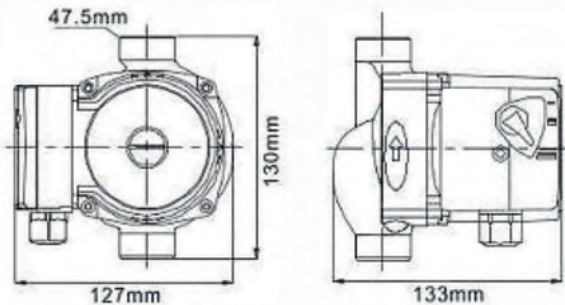
Pump shaft in the horizontal plane

PUMP EQUIPMENT

Screwed end single head pump Manual 3-speed control
 Non-overloading single phase motor



Overall Dimension



Technical Parameter

MODEL	Rated Power (w)	V/Hz	Highest Head (m)	Max. Capacity (L/min)	Input & Outlet Dia.(mm)	N.W (Kg)	G.W. (Kg)	Q'ty (PCS)	Package Dimension (cm)	20'
ZL-3001-25/6-130	93/67/48	220v/50	6/5/3	50/40/25	1½"	2.4	2.1	8	34.5 x 30 x 29.5	6800