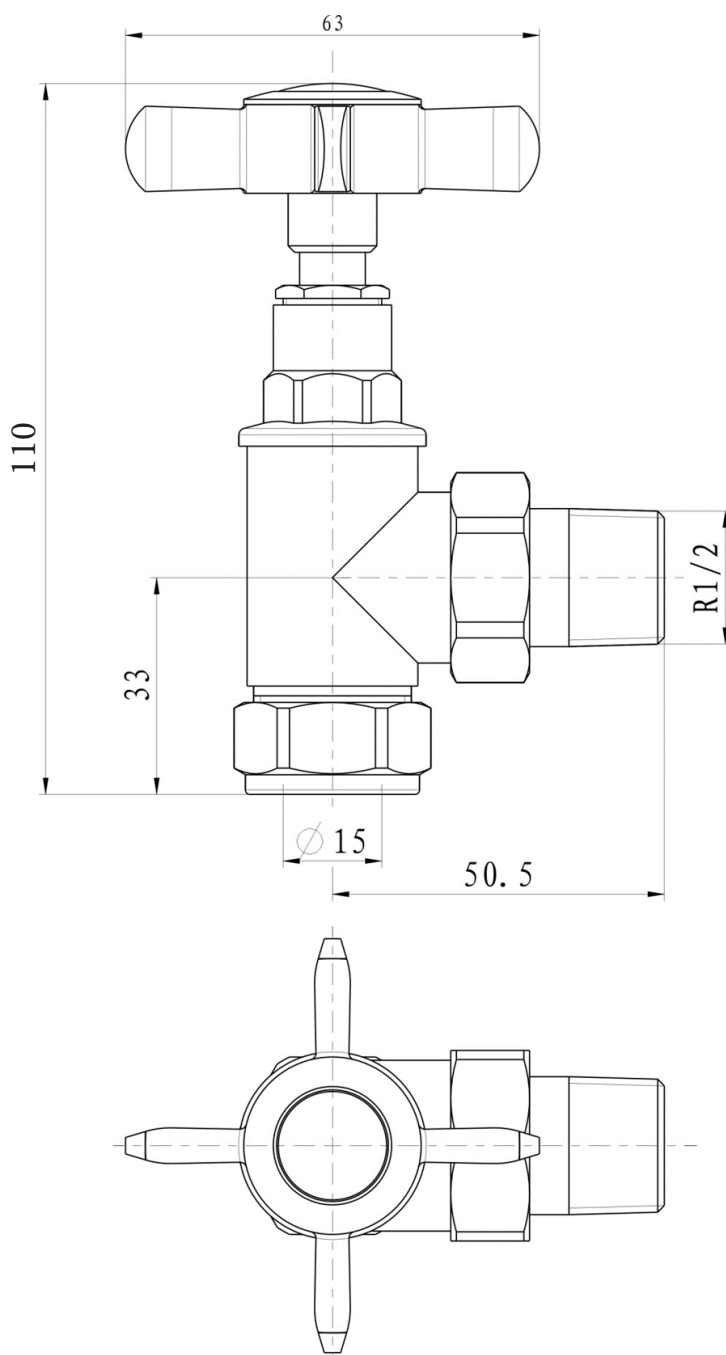


DATA SHEET

THE TUNBRIDGE WELLS
Brassware Co.

01.TRX Angled Traditional Radiator Valves (pair)



CODE:	01.TRX
GUARANTEE:	2 Years
SIZE:	85 x 110mm
FINISH:	Chrome
CONNECTION:	15mm
WEIGHT:	0.90kg