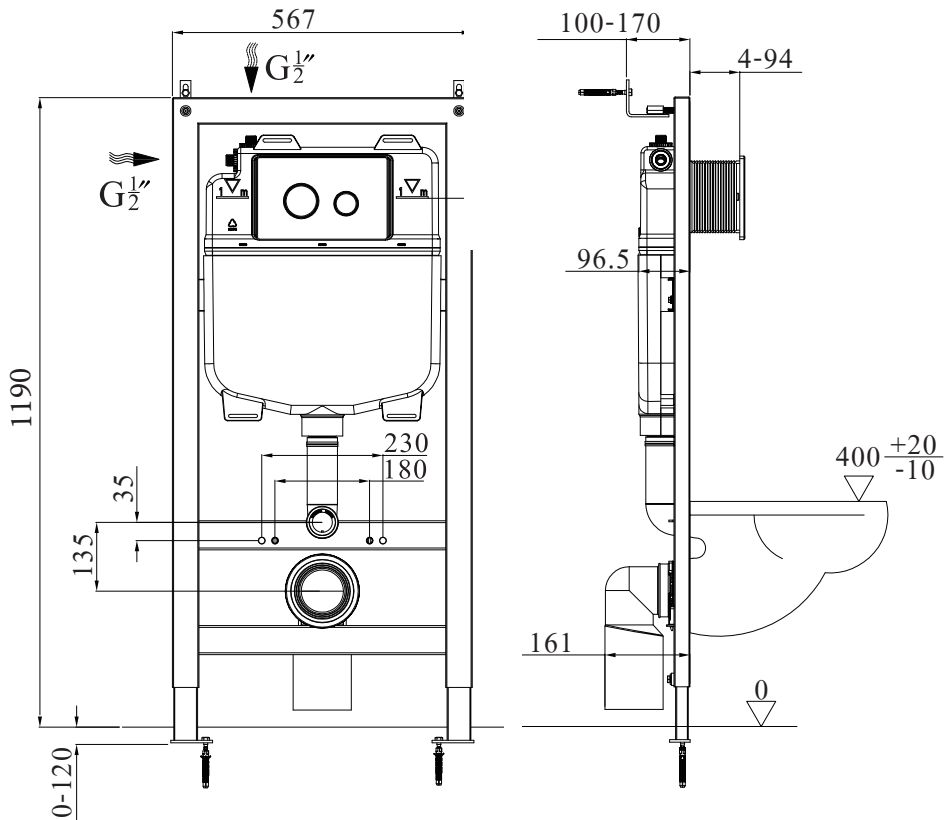


Ancortite Compact Wall Hung Frame



Ancortite Compact Wall Hung Frame

Code: 134.DWCC

Including concealed cistern (134.BCC)
 Requires flush plate (not included), suitable for use with Ancortite FP1 and FP2 options
 4.6 or 3/4.5 ltr
 Pneumatic operation
 Left or right turn pan connection

Weight: 15kg

Notes: Including polystyrene jacket.

Flush plates sold separately

Ancortite Flush Plate

Round Options:
 Chrome – 134.FP1CH
 Matt black – 134.FP1MB
 Gloss White – 134.FP1GW

Square Options:
 Chrome – 134.FP2CH
 Matt black – 134.FP2MB
 Gloss White – 134.FP2GW